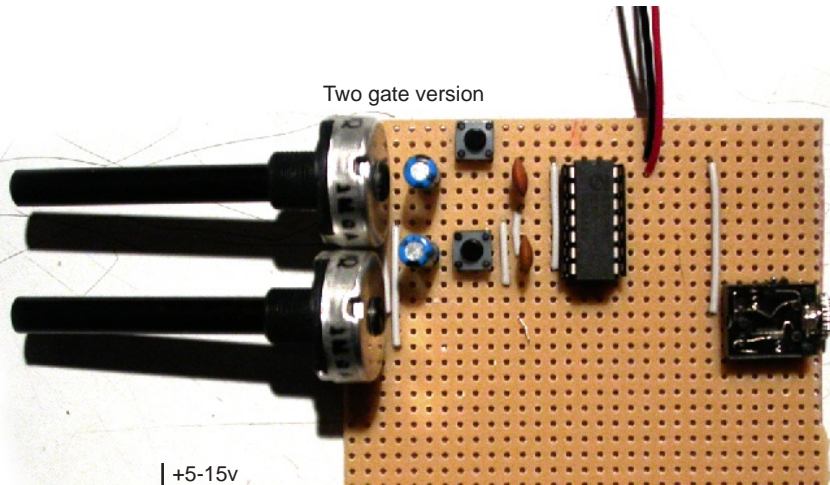


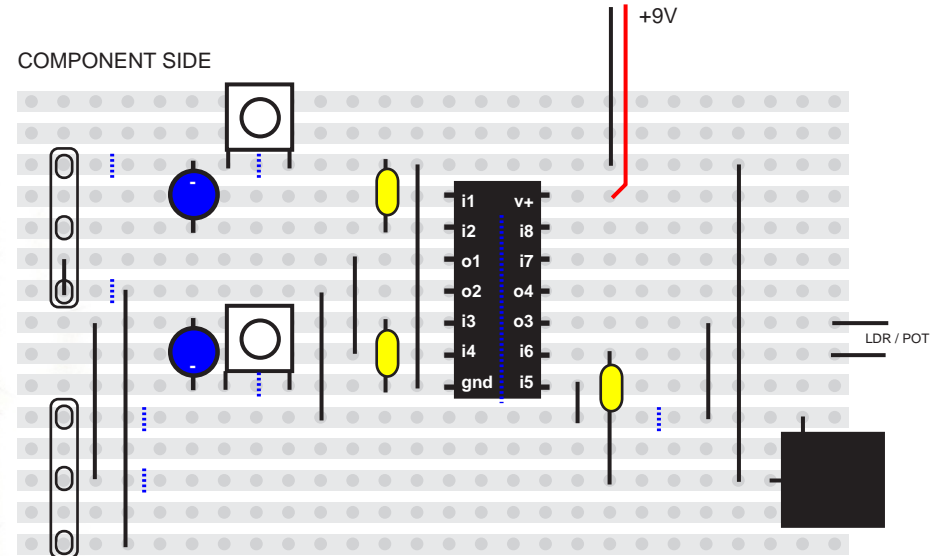
# NANDSYNTH 1.1

4093 Quad NAND Gate Schmitt Trigger

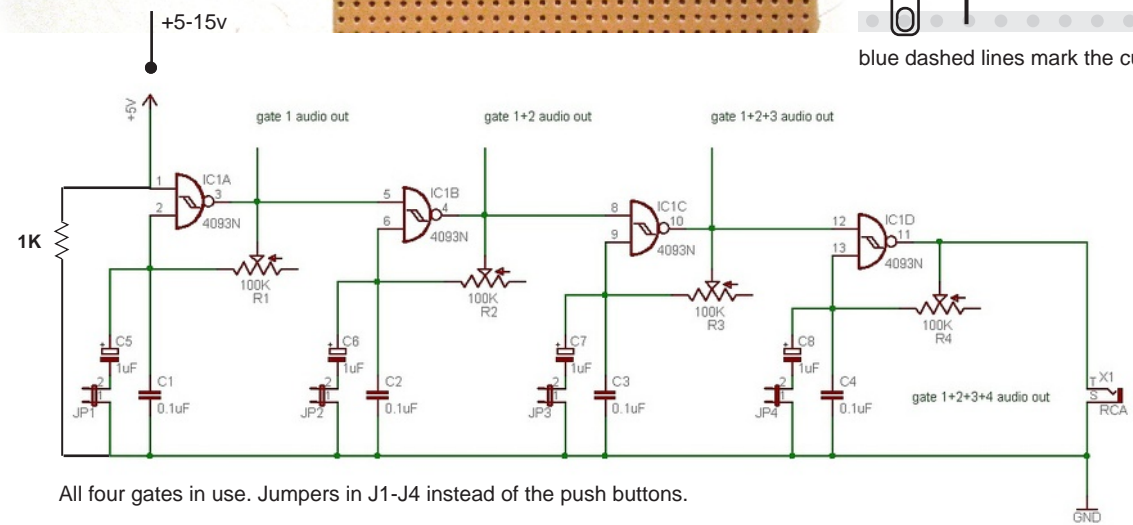
Based on Nicholas Collins' example in "Handmade Electronic Music" -book



Two gate version



blue dashed lines mark the cuts to be made on strip board strips on solder side



All four gates in use. Jumpers in J1-J4 instead of the push buttons.

